

Fully loaded roller bearing

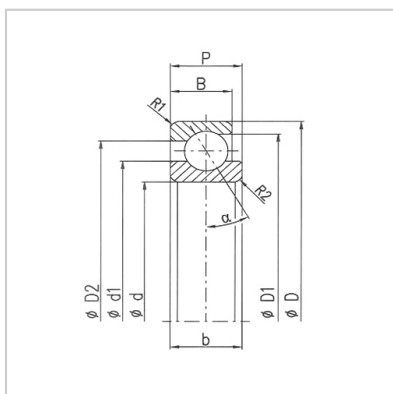
Excavator bearing-AC250330



Bearing model : AC250330

Overall dimension (mm) :

d :	250
D :	330
B :	37



: