

Fully loaded roller bearing

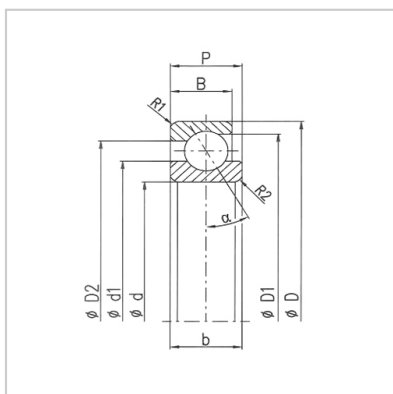
Excavator bearing-AC523438-1



Bearing model : AC523438-1

Overall dimension (mm) :

d :	260
D :	340
B :	38



: