

Fully loaded roller bearing

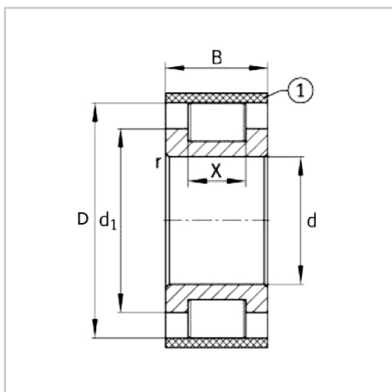
RSL18 series full loaded cylindrical roller bearing-RSL183013-A



Bearing model : RSL183013-A

Overall dimension (mm) :

d :	65
D :	93.09
B :	26



: